



Applications

kiT Series Low Frequency Extension
 Portable FOH PA Sub
 Drum Monitor Sub
 Nightclubs

Features

kiT Series Rigging
 High Output
 LF Device: 18 in (457.2mm)
 (2) Integral Pole Mounts
 Durable Polyurea Coating

Model Options

kiT-Sub

Non-powered model
 (2) EP-4 Connectors (1M, 1F)
 + (1) 2-Position Terminal Strip

kiT-Sub+

DSP + Integrated Amplifier
 (2) XLR Connectors
 (1 XLR-F In, 1 XLR-M Thru)

General Description

The Clair Brothers kiT-Sub is a newly designed mobile sub-low frequency loudspeaker. The kiT-Sub provides maximum sub bass reinforcement proportional to its size which is ideal for a variety of mobile applications where space-saving is a consideration.

Its design dimensions make it a perfect companion for the Clair Brothers kiT Series kiT12, kiT15, and kiTCURVE products. Also compatible with a variety of Clair Brothers full range mobile loudspeakers such as 12CX, F28-V, and FF2-H.

The kiT-Sub is designed with a single high output transducer that delivers a usable in-room frequency response down to 41 Hz.

The proprietary 18 in. driver provides exceptional linear excursion. The result is a high power handling, high performance subwoofer that provides tightly controlled low-frequency extension.

The kiT-Sub may be amplified using one of several different CB amplified controller platforms. There are several different factory presets that allow the user to achieve an optimized low pass filter starting point for various applications. The rear panel of the enclosure includes an input connector panel with (1) EP-4 Male, (1) EP-4 Female and (1) 2-Position terminal strip. The kiT-Sub may

be upgraded to the powered version, the kiT-Sub+ (with integrated 3200W amplifier + DSP), by simply exchanging the connector panel for the kiT-Sub+ amplifier module assembly. The amplifier preset processing is factory programmed and provides the user with the choice between four presets that are specifically designed for various applications.

As with all Clair Brothers products, the kiT-Sub is constructed of the finest Baltic birch plywood and features a durable polyurea-coated finish to withstand the most demanding conditions.

The speaker grille is constructed of a durable 14 gauge steel which is powder coated and backed with a high grade reticulated foam. Mobility is achieved with a detachable transport dolly board (not pictured above / sold separately).

Accessories

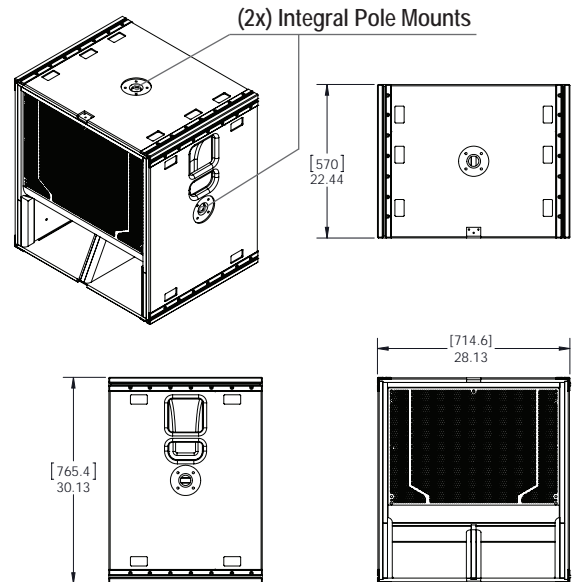
Dolly Board
 Custom Colors Available
 Proprietary DSP + Amplification Rack Packages

Audio Specifications

Loudspeaker Type		Single Driver Sub / Bass
Frequency Response (+/- 2dB)	Single Cabinet	41Hz–250Hz
Recommended Power Amplifier		2000–3500W @ 8 Ohms
Sensitivity (1 Watt @ 1 Meter)		101.5 dB SPL
Maximum Output ¹		135 dB SPL
Drivers	LF	(1) 18 in (457.2mm)
Nominal Impedance		4 Ohms
Power Handling	Cont. Peak	1600W 3200W
Input Connections (kiT-Sub)	Standard	(2) EP-4 (1 Female, 1 Male) + (1) 2-Position Terminal Strip

Mechanical Specifications

Enclosure	Shell Finish	18mm Baltic Birch Durable Polyurea, Black
Rigging		kiT Rigging Corners
Grille		Powder Coated Steel
Dimensions	Height Width Depth	30.13 in (765.4mm) 28.13 in (714.6mm) 22.44 in (570.0mm)
Weight		146 lbs (66.2kg)
Shipping Weight		160 lbs (72.6kg)



1) Measured @ 1 meter in free space with 12dB crest factor pink noise, unweighted.

Note: All wattage figures are calculated using the rated nominal impedance.

Clair Brothers products are designed to perform optimally by utilizing factory recommended proprietary DSP settings.

Architect and Engineer Specifications

The loudspeaker shall be a subwoofer system containing a total of one 18" driver in a single-chamber vented enclosure. Power handling capacity shall be 1600 watts RMS nominal and 3200 watts peak. The low frequency driver shall be 18" diameter capable of handling 1600 watts of pink noise with a 6 dB crest factor for 8 hours (as per EIA RS-426-A standard). The pass-band frequency range shall be at minimum, 41–250Hz. The single 18" transducer shall have a 4" diameter edge-wound copper ribbon voice coil with a well-vented magnet structure. The motor assembly shall have high thermal capacity and low thermal power compression characteristics. The rear of the enclosure shall feature a recessed opening to accept an input connector panel with (1) EP-4 Female, (1) EP-4 Male and (1) 2-Position terminal strip. The dimensions of the input connector panel and locations of its mounting holes shall match the kiT-Sub+ amplifier module such that future upgrade from non-powered to powered is possible by the end user. The enclosure shall be constructed of 18mm, 13-ply Baltic birch and be covered with a durable polyurea coating. The cabinet shall include integral kiT Series Rigging Corner suspension points. Dimensions shall be 30.13" high, 28.13" wide, and 22.44" deep. The system weight for loudspeaker alone shall be 146 lbs (66.2kg). The loudspeaker system shall be the Clair Brothers kiT-Sub.